

GLORY

Mach[®] 12 Coin Sorter

Efficient coin processing

The Mach 12 is a high volume industrial grade coin sorter and counter that is fast, accurate and versatile.



Glory Global Solutions is a World Expert in cash management, delivering technology and solutions that provide security, productivity and innovation to our customers. These solutions are supported by the technical expertise of GLORY Group of Japan, the pioneer in development and manufacture of money handling machines across the financial, retail, vending machine, amusement and gaming industries for nearly 100 years.



Across the world, Glory Global Solutions is trusted by thousands of organizations to ensure their cash is managed securely and efficiently while delivering the ultimate in productivity. 2,500 professionals, including over 1,300 service and support staff and 350 business partners cover over 128 countries delivering these solutions – wherever money moves.

Mach[®] 12 Technical Information

Glory's Mach[®] 12 is a high volume industrial grade coin sorter that is fast, accurate and versatile.

Optimal speed and accuracy

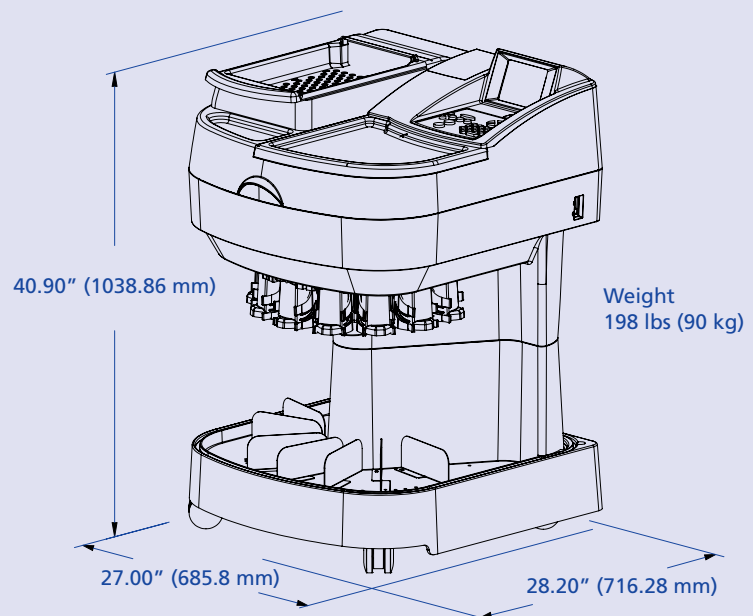
- The simplicity of the patented Figure 8 technology provides optimal and accurate sorting at up to 6,000 coins per minute.

Versatile options to meet your needs

- Mach 12 is built with heavy duty counting and sorting components designed to tackle large sorting tasks in high demand applications where coin is sorted and counted into bags. The Mach 12 also offers exact programmable bag stops. To meet the demands of these environments and maximize efficiencies, models with multiple bagging of one denomination are also available.
- For streamlined operation, the Mach 12 offers Management Information Control System™ (MICS) as standard. This provides three levels of memory and the ability to manually enter values for other media, like checks and credit cards, into your totals.
- For connectivity, choose from a RS232 or USB port to connect to other counting equipment and cash settlement systems. Security doors can be added, if loss prevention is a priority.
- The Mach 12 workstation design offers a convenient work surface, an easy access keyboard and a large LCD display for operator convenience. An optional fully-integrated printer can also be specified. Bag changes are easy with the Mach 12 patented quick release bagging attachments.



Speed	Up to 6,000 coins per minute
Coin size range	Diameter: 0.591" to 1.48" (15 mm to 37.7 mm) Thickness: 0.04" to 0.12" (1.0 mm to 3.0 mm) Differential: 0.02" (0.5 mm) minimum
Tilting inspection pan capacity	Up to 10,000 coins
Power supply	90-264V AC, 50/60 Hz
Connectivity	(2) RS232, (1) USB-B mini, (1) RJ11 printer
Dimensions (H x W x D)	40.9" x 27.0" x 28.2" (1038.9 mm x 685.8 mm x 716.3 mm)
Weight	198 lbs (90 kg)
Security features	Lock-out security to protect operating information Battery backup in the event of a power failure Security doors (optional)
Options	Remote batch total display Security doors Magnet kit Impact printer Thermal printer Double bagging Token processing



Glory Global Solutions
2441 Warrenville Road, Suite 100
Lisle, IL 60532 USA
T +1 (800) 527-2638 F +1 (630) 577-1217
info@us.glory-global.com www.gloryglobalsolutions.com

Glory Global Solutions is part of GLORY LTD.

This document is for general guidance only. As the Company's products and services are continually being developed it is important for customers to check that the information contained herein includes the latest particulars. Although every precaution has been taken in preparation of this document, the Company and the publisher accepts no responsibility for errors or omissions. The Company and the publisher accept no liability for loss or damages resulting from the use of the information contained herein. This document is not part of a contract or licence save insofar as may be expressly agreed. All capabilities and capacity and throughput figures are subject to note size, note quality and process used. All trademarks are owned by the GLORY Limited Group of companies.

